

Display Solutions

crystal clear display solutions

Changes for the Better



XD250U XD280U

The Easy To Use Presentation Assistant



Simultaneous Message Display

A control room computer, equipped with projector-control software, can be used to send simultaneous messages in real time, to a series of projectors connected to the LAN. Ideal for broadcasting important information to multiple projectors, users can send messages up to 350 characters long.



Low Operating Costs - Energy Efficient

Mitsubishi have reduced operating and maintenance costs by making the XD250U and XD280U more energy efficient, with an energy saving standby setting and a long lamp life of up to 6,000 hours. In addition the filter free design reduces dirt and dust particles entering the projector therefore minimising service issues.

Top Loading Lamp - Simple Lamp Replacements

The lamp is installed on the top of the projector making replacements quick and easy, even when the projector is ceiling mounted.



* A special replacement lamp removal tool is included to prevent dropping the lamp during replacement.

Versatile Input Terminals

The XD250U and XD280U come equipped with an array of input terminals including HDMI and a Dual PC input.

Excellent Sound Projection - 10W Speaker + Audio Mix

Eliminating the need for an external speaker, the XD250U and XD280U come built with a high-volume 10W speaker. Utilizing the "Audio Mix" feature and a wireless microphone (sold separately), the presenter's voice is clear and loud for precise audio reproductions.

*Only compatible with stereo mini-jack. Not compatible with RCA jack (L/R) or HDMI.

Advanced Operability - Quick Menu for 'Easy Operation'

For enhanced usability, the tool bar features seven main menus* and one custom menu, enabling specific operations for seamless presentations.

Ultra Quiet Fan Noise - Silent 28dBA Operation

For distraction free presentations these projectors operate at just 28dBA.

Superior Colour Reproductions - BrilliantColour™

Enhancing the projectors performance the XD250U and XD280U come equipped with BrilliantColour™ ensuring richer, vibrant colours are reproduced from computer and video signals*.

DLP™
2700/3000 ANSI Lumens
2000:1 Contrast ratio
Up to 6000 hour lamp life



NEW

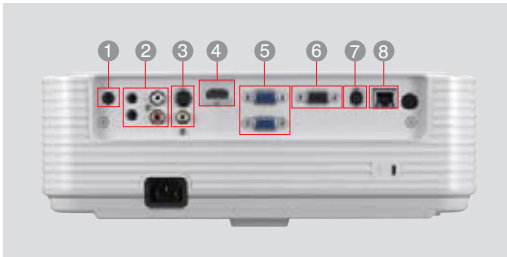


XD250U XD280U

MOBILE XGA PROJECTOR

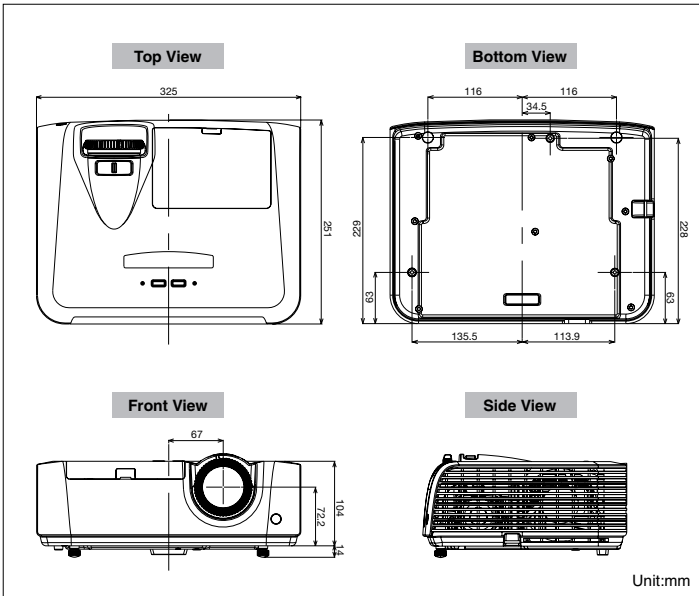
Brilliant Color™	Color Enhancer	Wall Screen	10W Speaker
User Logo Projection	Password Lock	Instant Shutdown	Long-life Lamp
Low Standby Power	Top/Side Loading Lamp	LAN (RJ-45)	HDMI
Closed Caption	Low Fan Noise	Picture Performance	Presentation
		User Friendly	

Input and Output Terminals



- 1 Audio output
- 2 Audio input
- 3 S-Video/Video
- 4 HDMI
- 5 PC/Component Video input
- 6 Monitor output
- 7 Serial RS-232C
- 8 LAN (RJ-45)

Dimensions

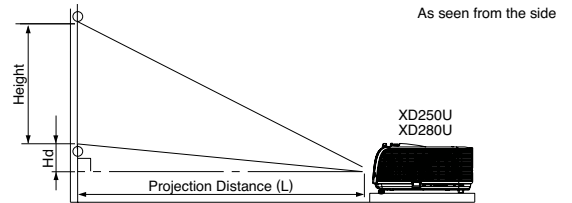


Specifications

Model	XD250U	XD280U
Display Technology	0.55" 1-Chip DMD	
Resolution	1024 x 768 (Total 786,432 pixels)	
Brightness	2700 ANSI lumens	3000lm ANSI lumens
Contrast Ratio	2000 : 1	
Picture Size	40" - 300"	
Throw Ratio	1.6 - 2.0	
Source Lamp	190W (Shut-off Time 6000hr) with Low Mode, 230W (Shut-off Time 3000hr) with Standard Mode	
PC Compatibility	640 x 480 - 1280 x 1024, True : 1024 x 768, Sync on Green available	
Video Compatibility	NTSC / NTSC 4.43 / PAL (including PAL-M, N) / SECAM / PAL-60 Component Video ; 480i/p (525i/p), 576i/p (625i/p), 720p (750p), 1080i (1125i 60Hz), 1080i (1125i 50Hz)	
Input Terminals	RGB ; mini D-sub 15pin x 2 Video ; RCA x 1, S-VIDEO x 1 Digital ; HDMI x 1 Audio ; Stereo mini jack (ø3.5mm) x 2, RCA jack (L/R) x 1	
Output Terminals	RGB ; mini D-sub 15pin x 1 Audio ; Stereo mini jack (ø3.5mm) x 1	
Communication Terminal	RS-232C ; mini DIN 8pin x 1, LAN ; RJ-45 x 1	
Audio Speaker	10W Mono	
Dimensions (W x H x D)	325 x 118 x 251 mm / 12.6 x 4.1 x 9.3 inch	
Weight	3.3kg / 7.3lbs	
Power Requirements	AC 100-240V, 50/60Hz	
Optional Lamp	VLT-XD280LP	

• Compliance with ISO21118-2005
• All brand names and product names are trademarks, registered trademarks or trade names of their respective holders.

Screen size and Projection distance



Screen size chart (4:3 aspect ratio)

Screen		Distance from screen (L)				Height projected image (Hd)					
Diagonal Size	Width (W)	Height (H)	Max. Zoom	Min. Zoom							
inch	cm	inch	cm	inch	m	inch	cm				
40	102	32	81	24	61	51	1.3	62	1.6	3.6	9
60	152	48	122	36	91	77	2.0	94	2.4	5.4	14
80	203	64	163	48	122	103	2.6	125	3.2	7.2	18
100	254	80	203	60	152	129	3.3	157	4.0	9.0	23
150	381	120	305	90	229	195	4.9	236	6.0	13.4	34
200	508	160	406	120	305	260	6.6	315	8.0	17.9	45
250	635	200	508	150	381	326	8.3	394	10.0	22.4	57
300	762	240	610	180	457	391	9.9	-	-	26.9	68

The above numbers are approximate, and may be slightly different from the actual measurements.

Screen size chart (16:9 aspect ratio)

Screen		Distance from screen (L)				Height projected image (Hd)					
Diagonal Size	Width (W)	Height (H)	Max. Zoom	Min. Zoom							
inch	cm	inch	cm	inch	m	inch	cm				
40	102	35	89	20	50	56	1.4	68	1.7	7.2	18
60	152	52	133	29	75	84	2.1	102	2.6	10.8	27
80	203	70	177	39	100	113	2.9	137	3.5	14.3	36
100	254	87	221	49	125	141	3.6	171	4.4	17.9	46
150	381	131	332	74	187	213	5.4	258	6.5	26.9	68
200	508	174	443	98	249	284	7.2	344	8.7	35.9	91
250	635	218	553	123	311	356	9.0	430	10.9	44.8	114
300	762	261	664	147	374	427	10.8	-	-	53.8	137

The above numbers are approximate, and may be slightly different from the actual measurements.

MITSUBISHI ELECTRIC EUROPE

New publication, effective July 2009 Specifications subject to change without notice.